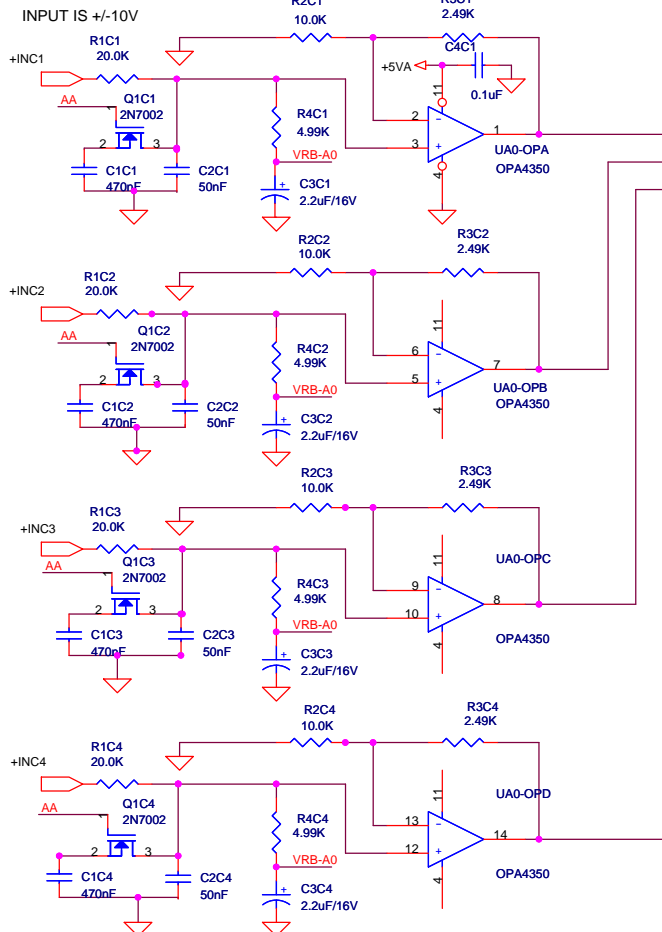
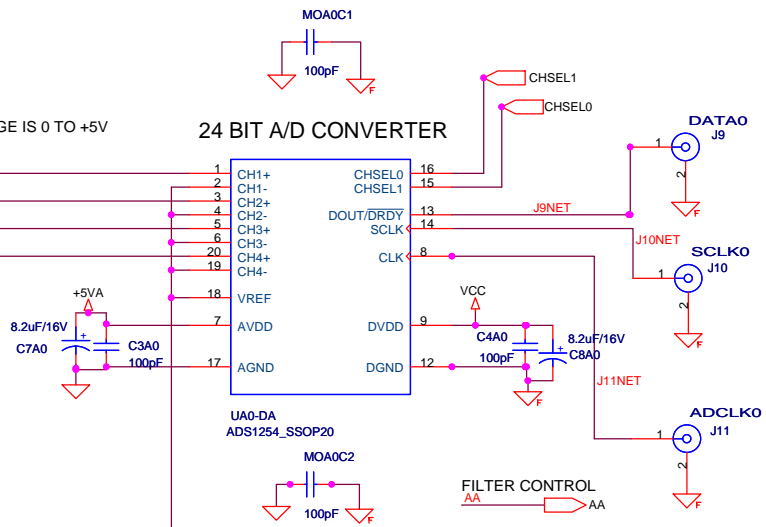


INPUT LEVEL SHIFT & FILTERING

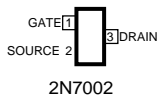
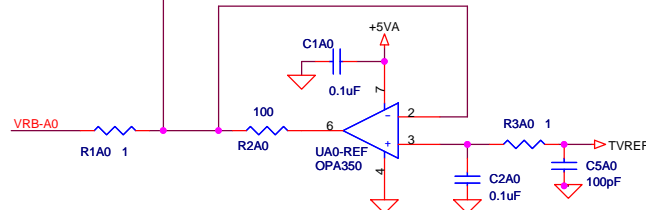


A/D INPUT RANGE IS 0 TO +5V

24 BIT A/D CONVERTER



REFERENCE BUFFER



Title		
Electrophysiology System for MRI		
Size	Document Number	Rev
B	Ver.2.1	1
Date:	Monday, December 27, 2004	Sheet 1 of 1